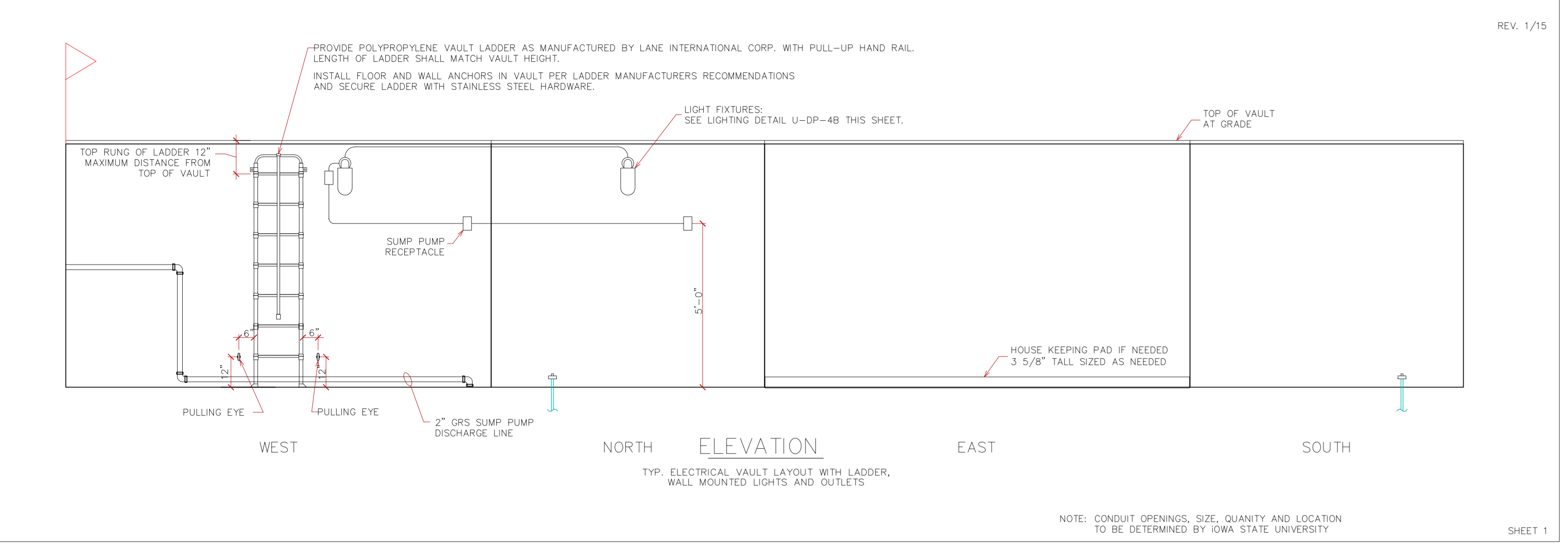


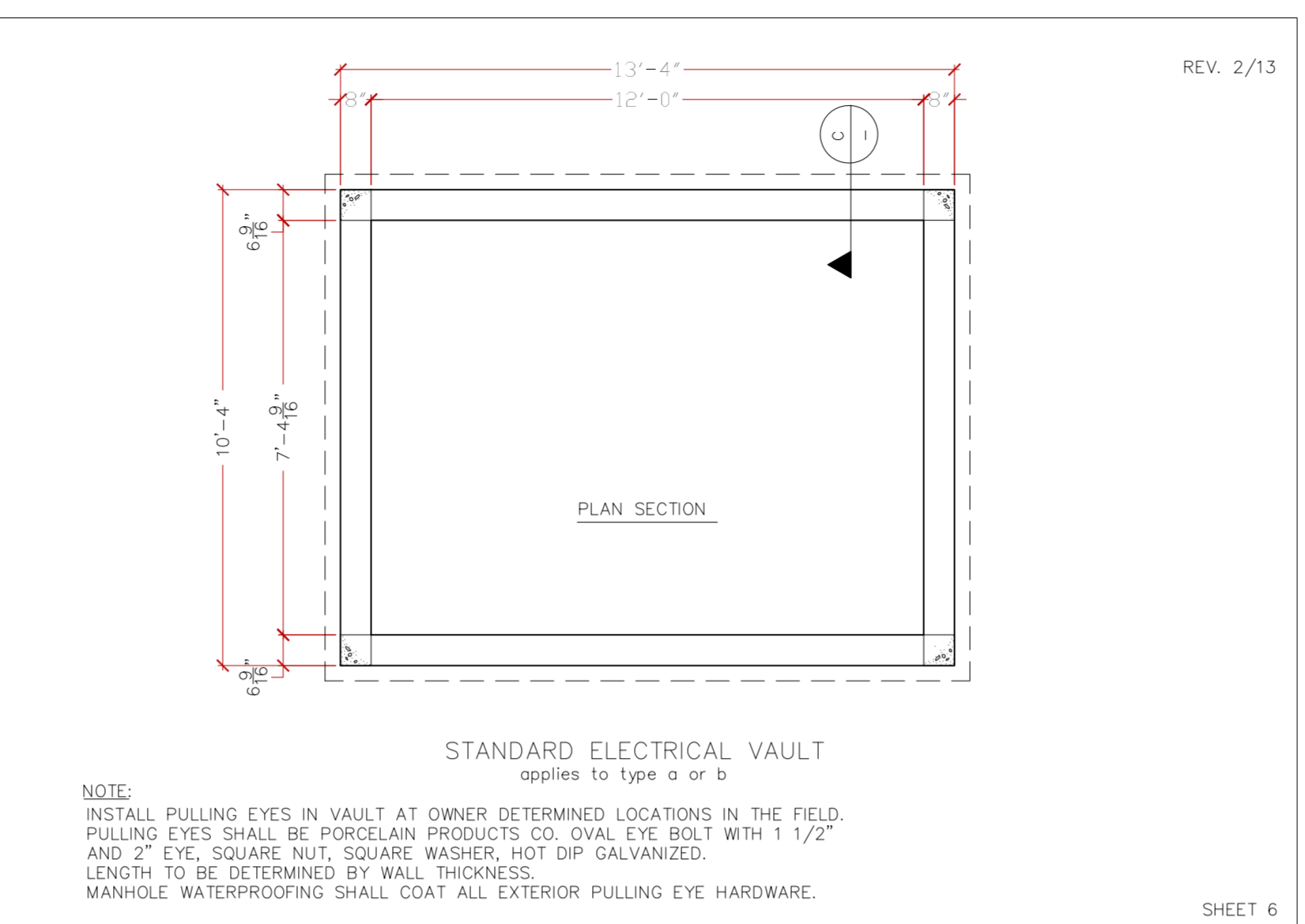
ISU – Utilities Standard Vault Details With Removable Top Section

type A

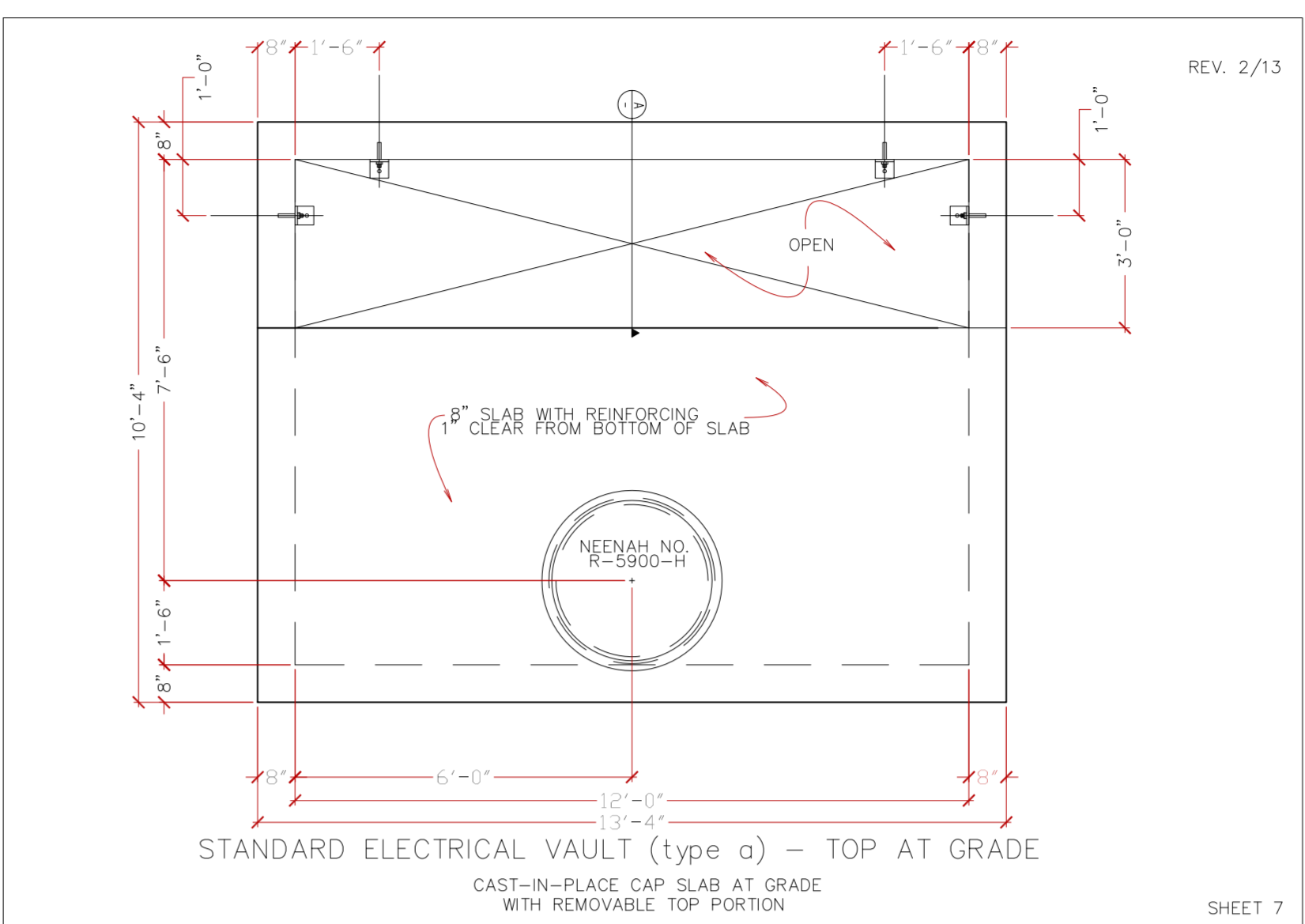
type B



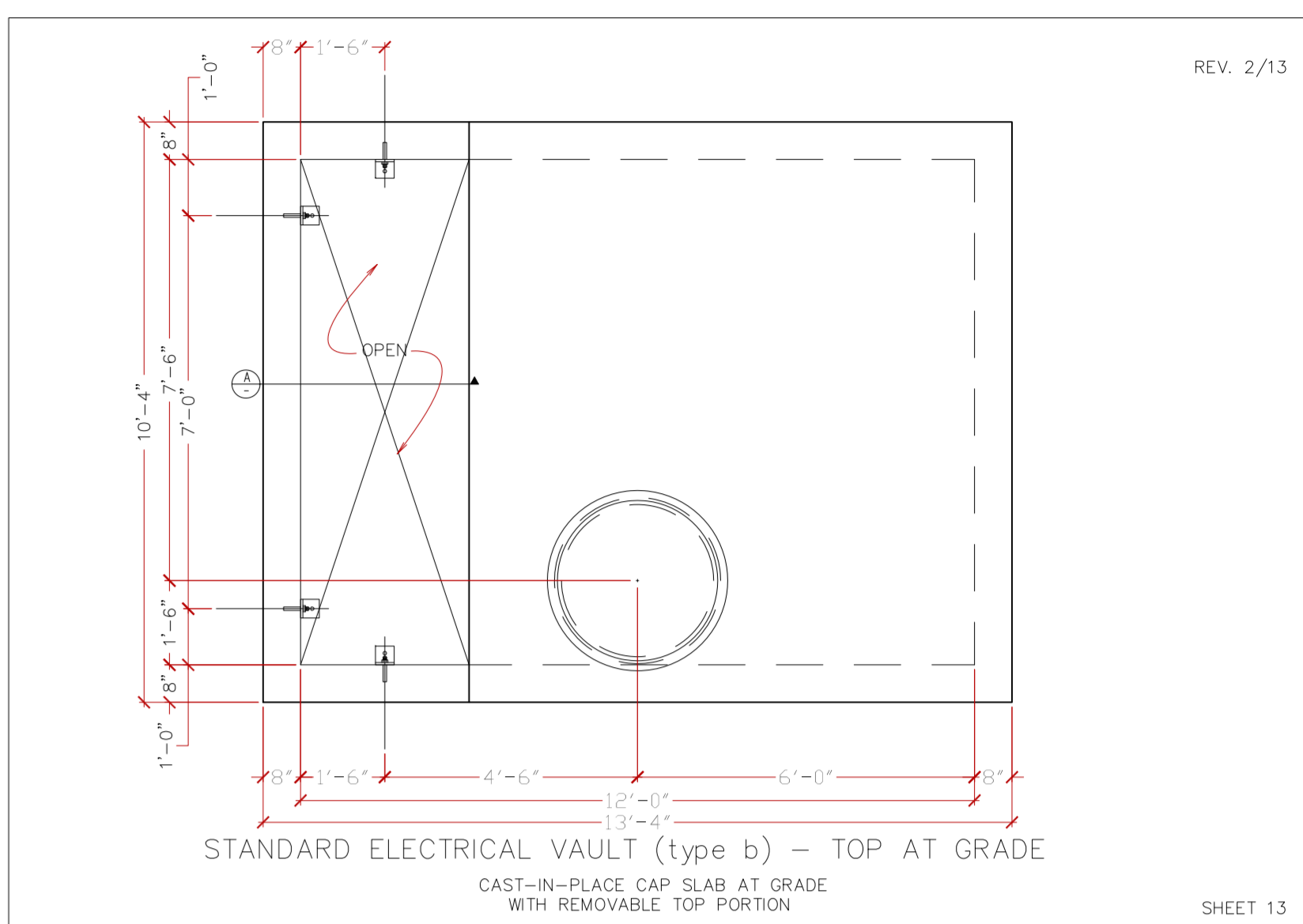
REV. 1/15
SHEET 1



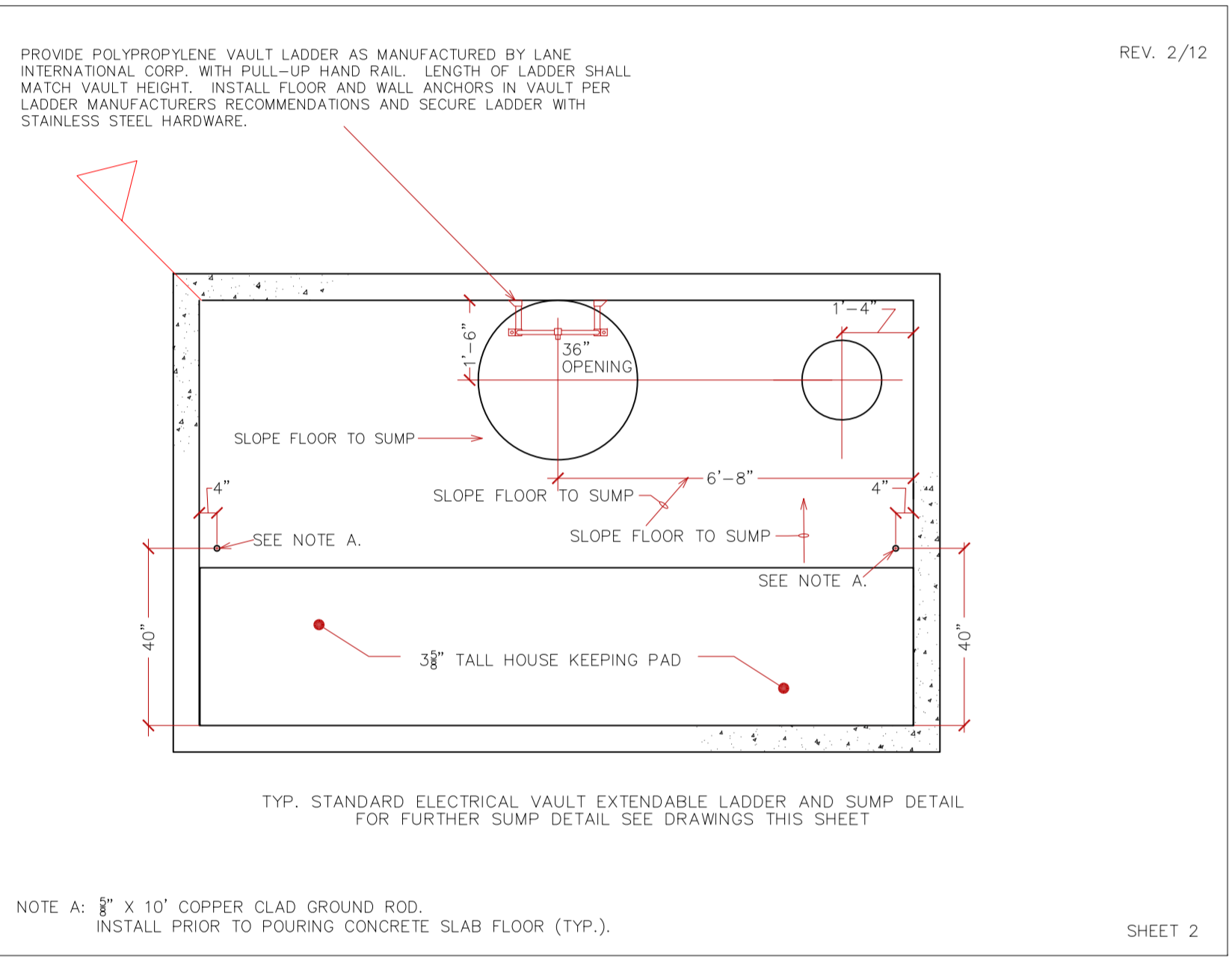
REV. 2/13
SHEET 6



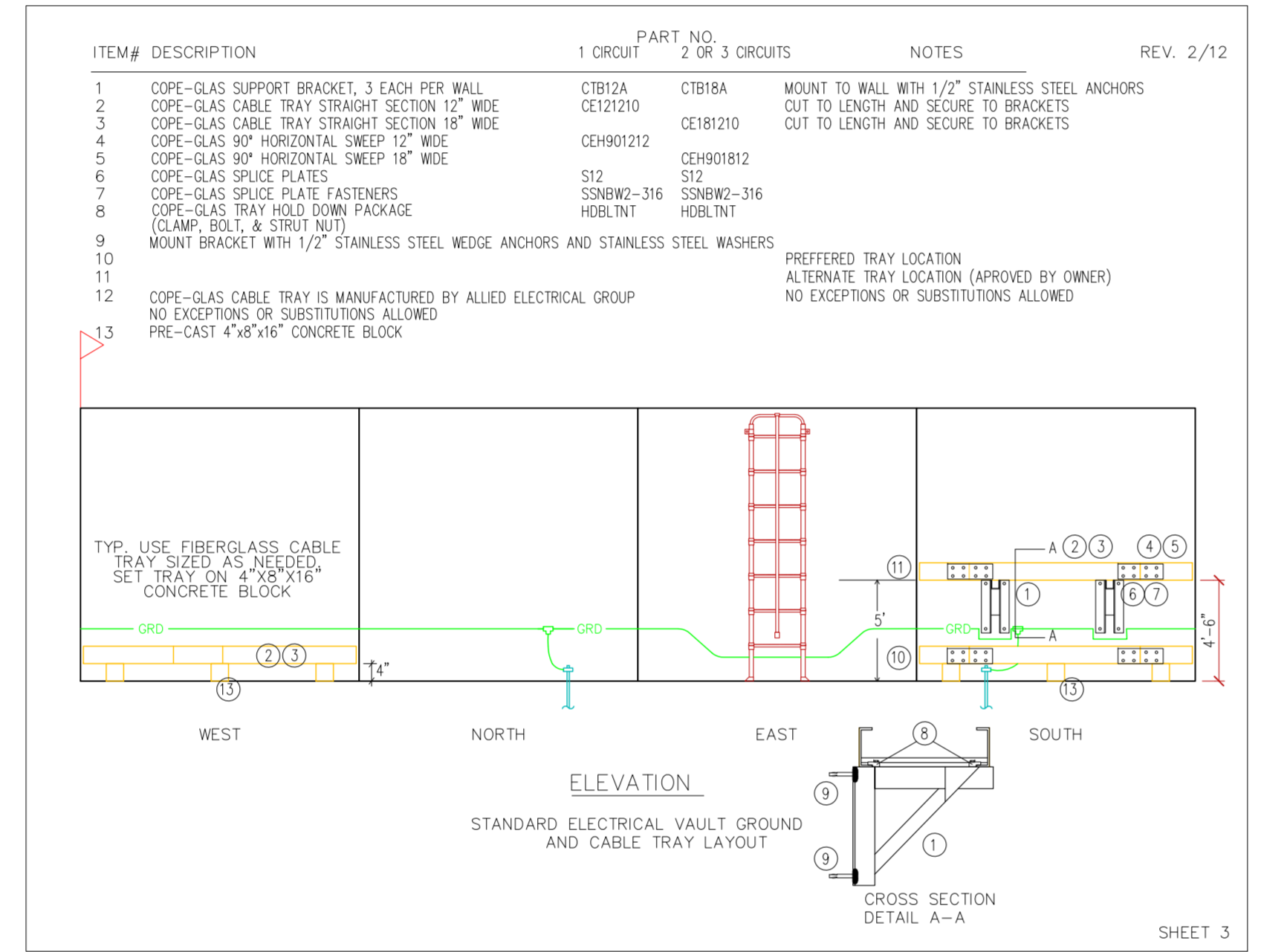
REV. 2/13
SHEET 7



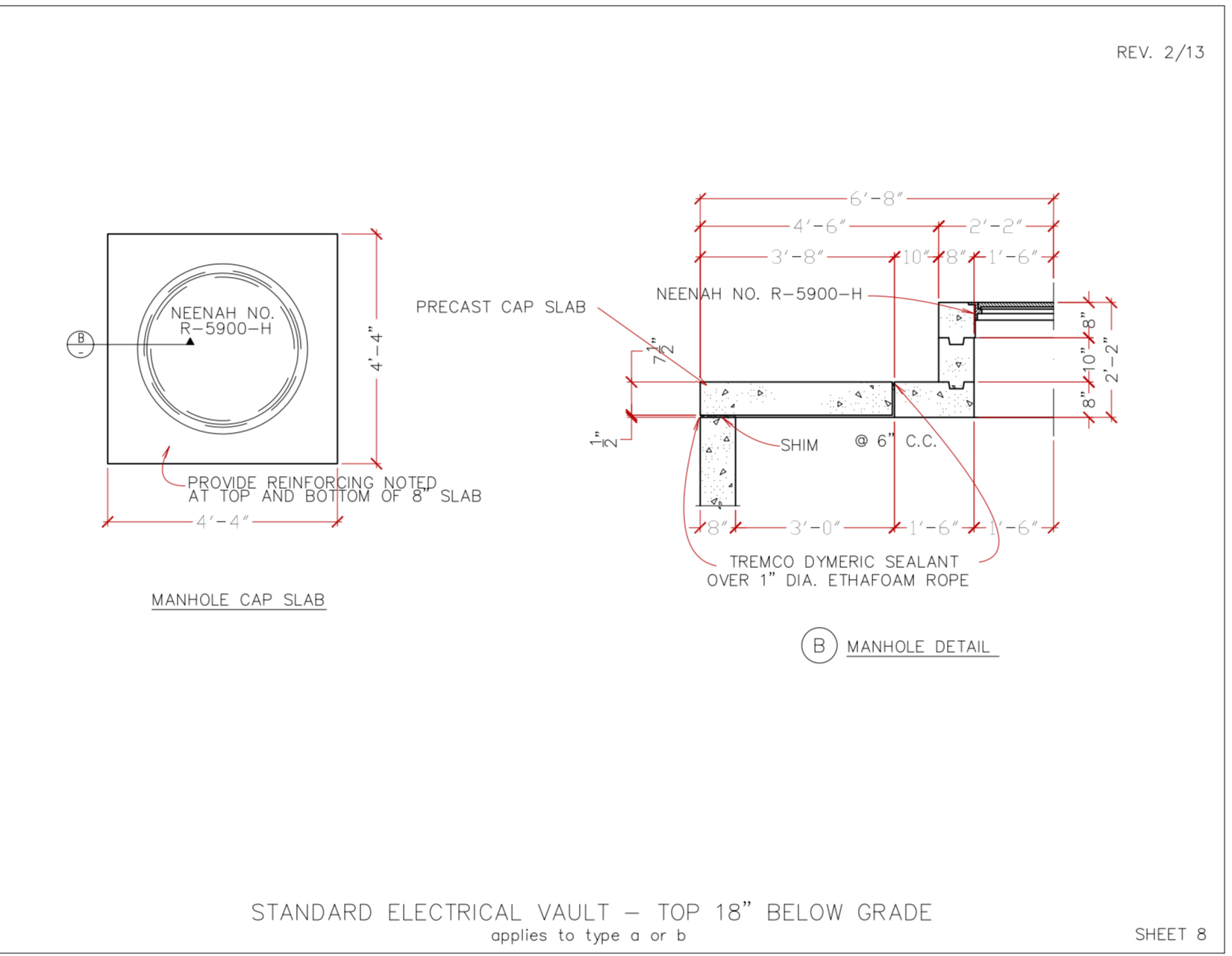
REV. 2/13
SHEET 13



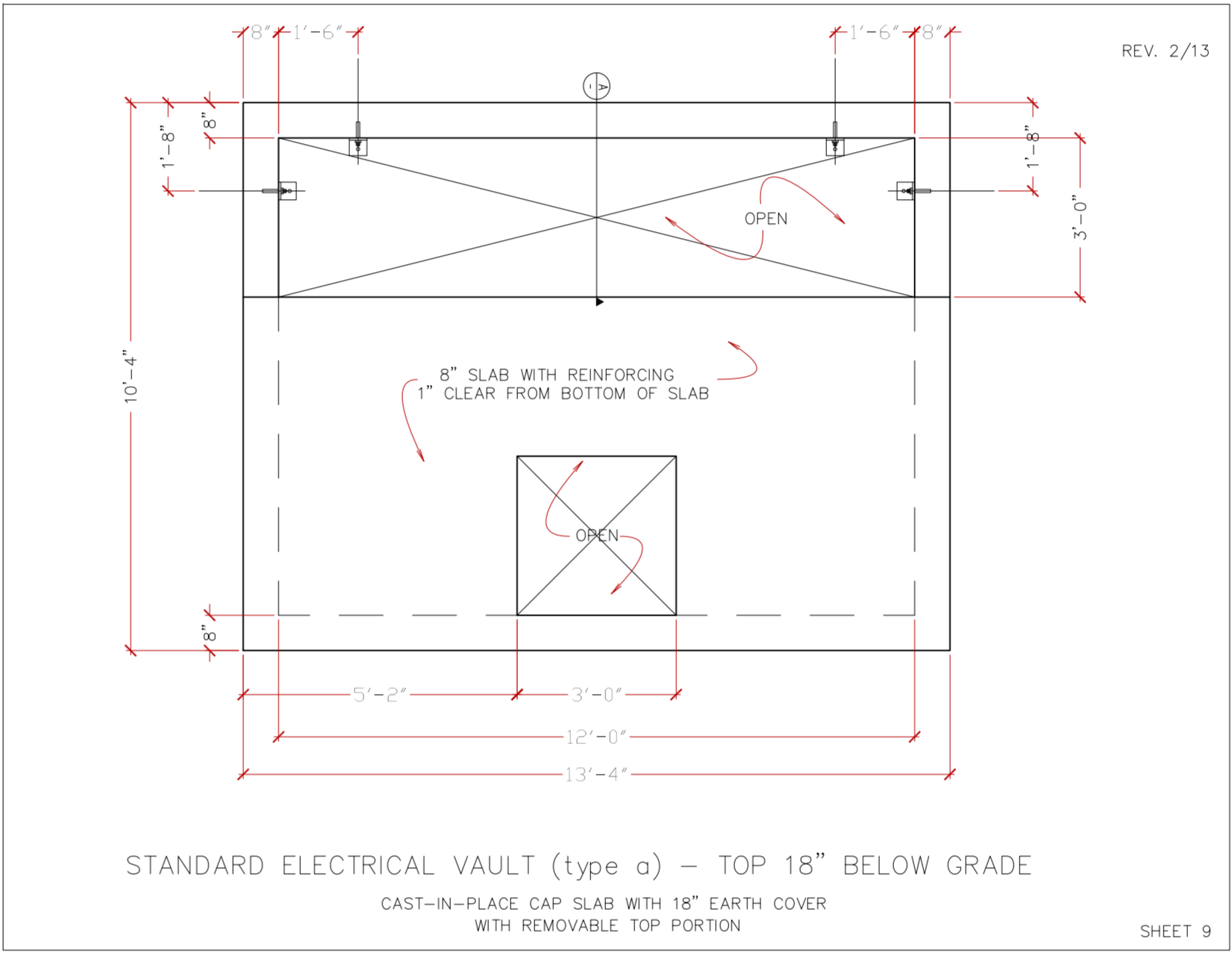
REV. 2/12
SHEET 2



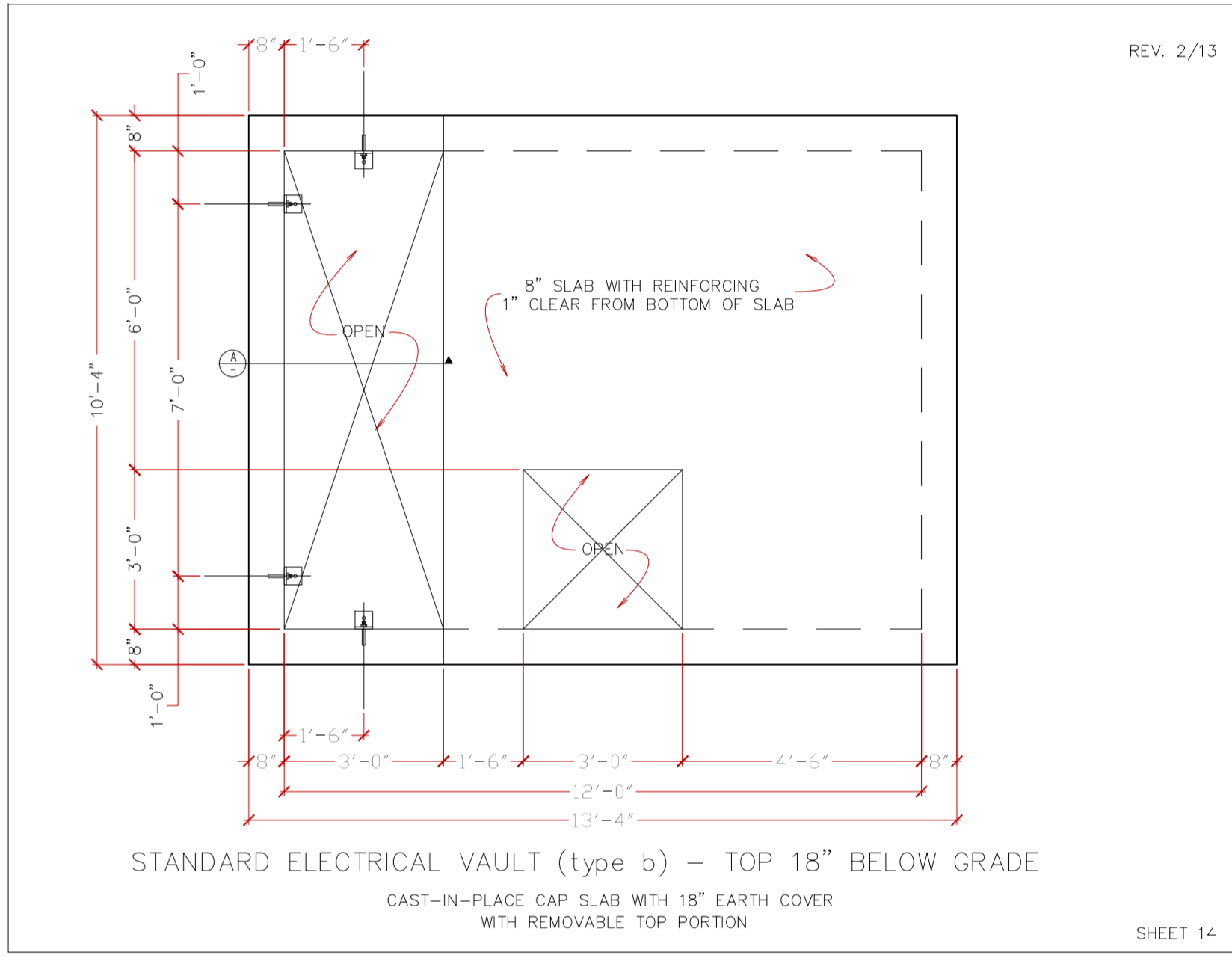
REV. 2/12
SHEET 3



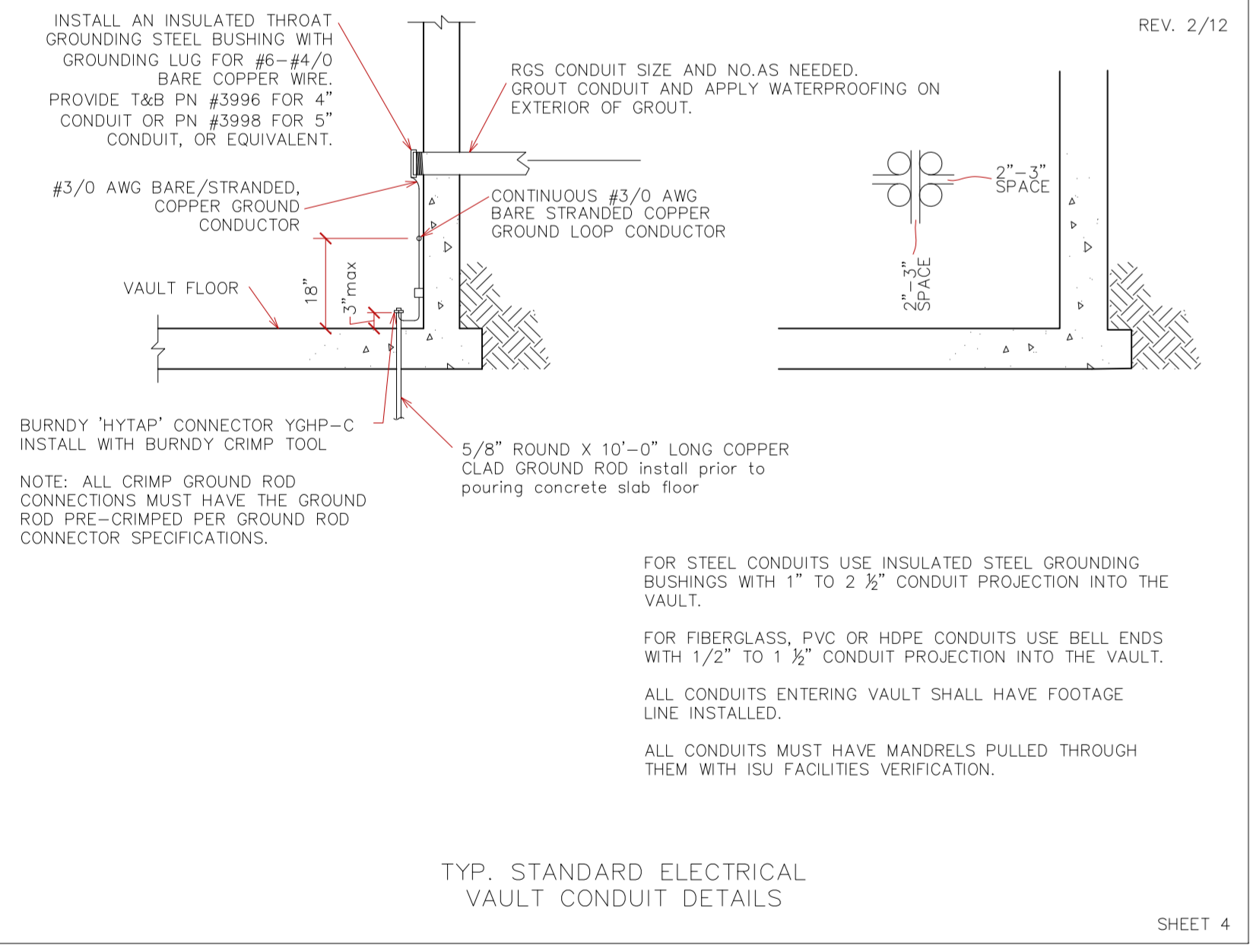
REV. 2/13
SHEET 8



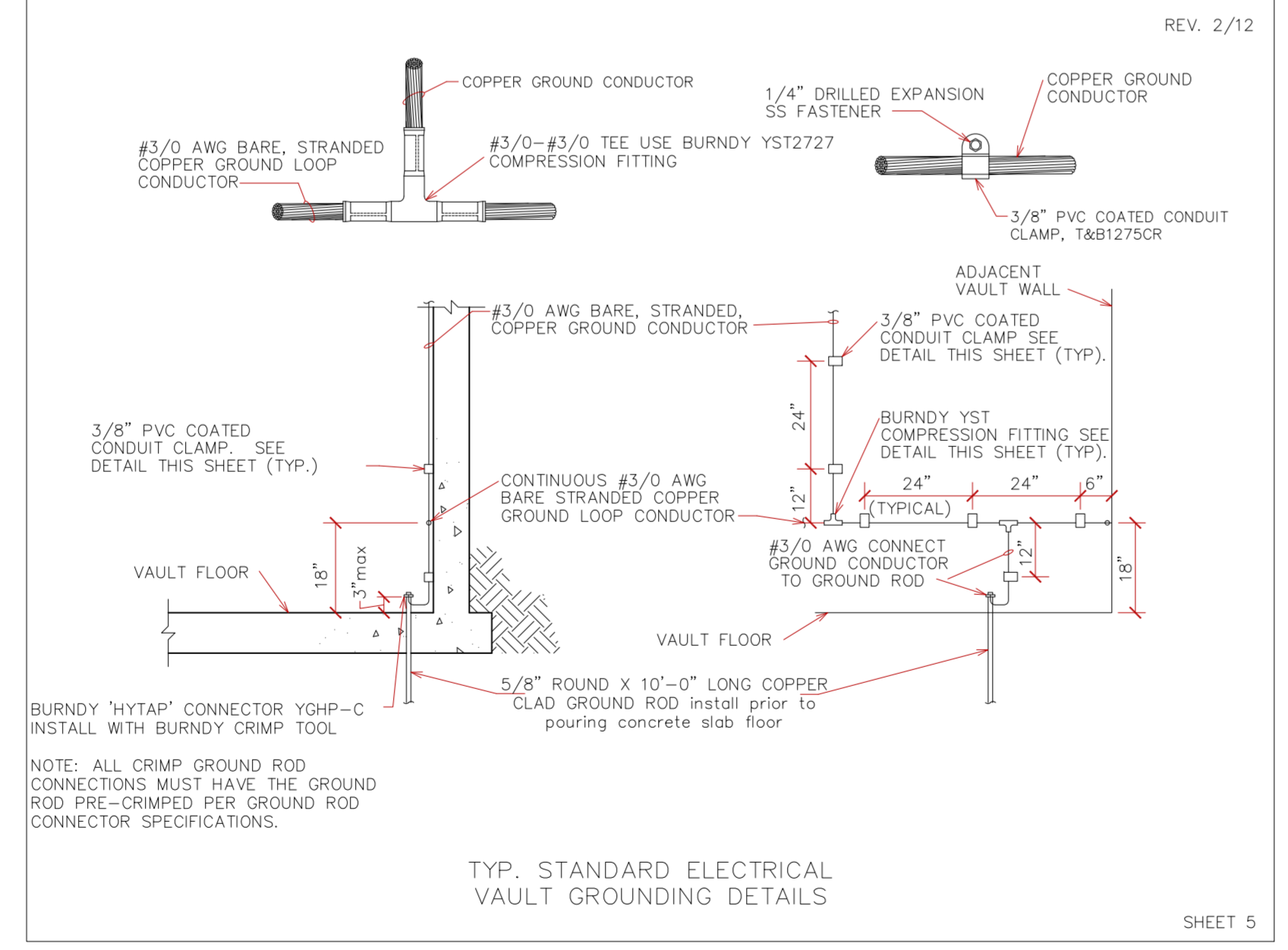
REV. 2/13
SHEET 9



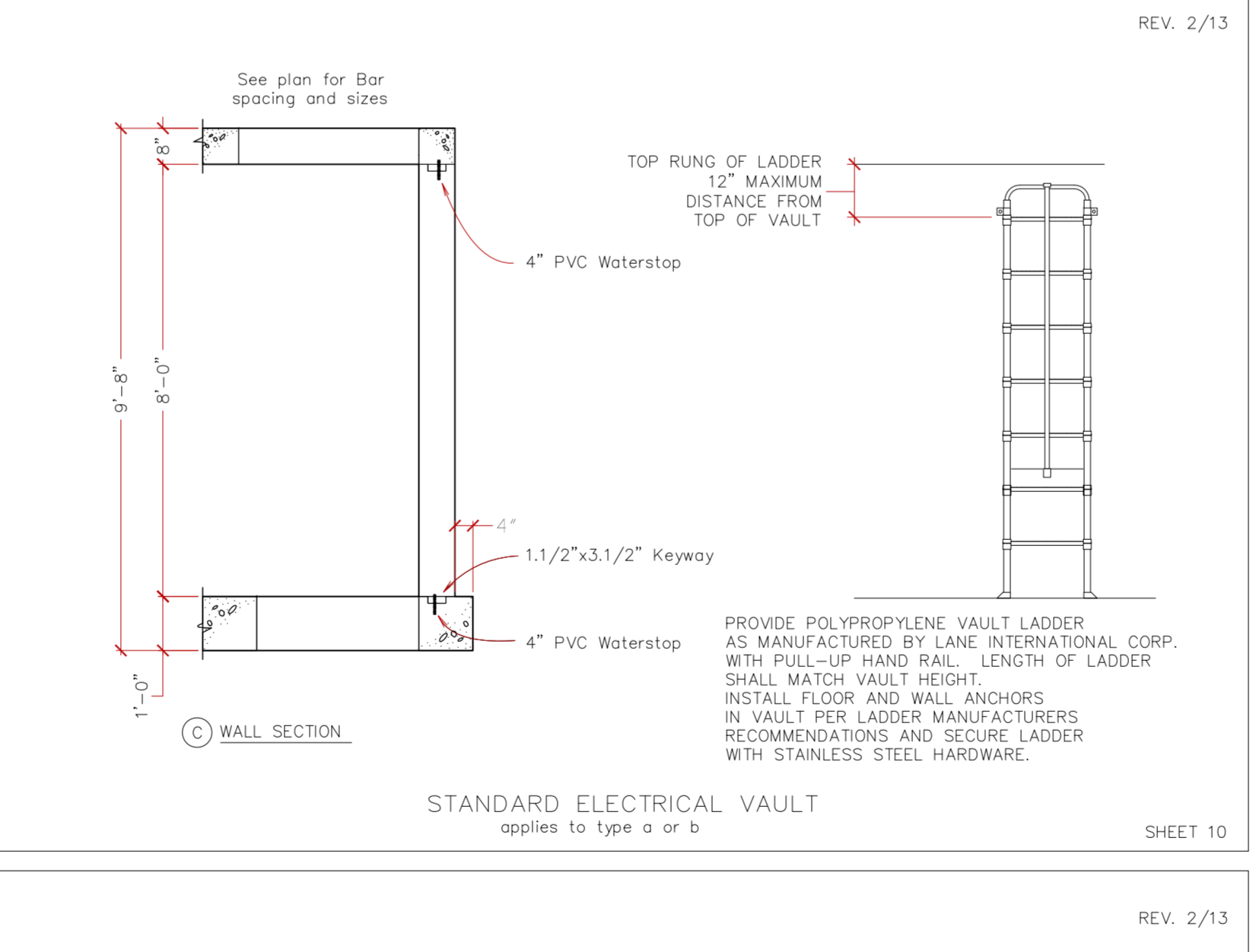
REV. 2/13
SHEET 14



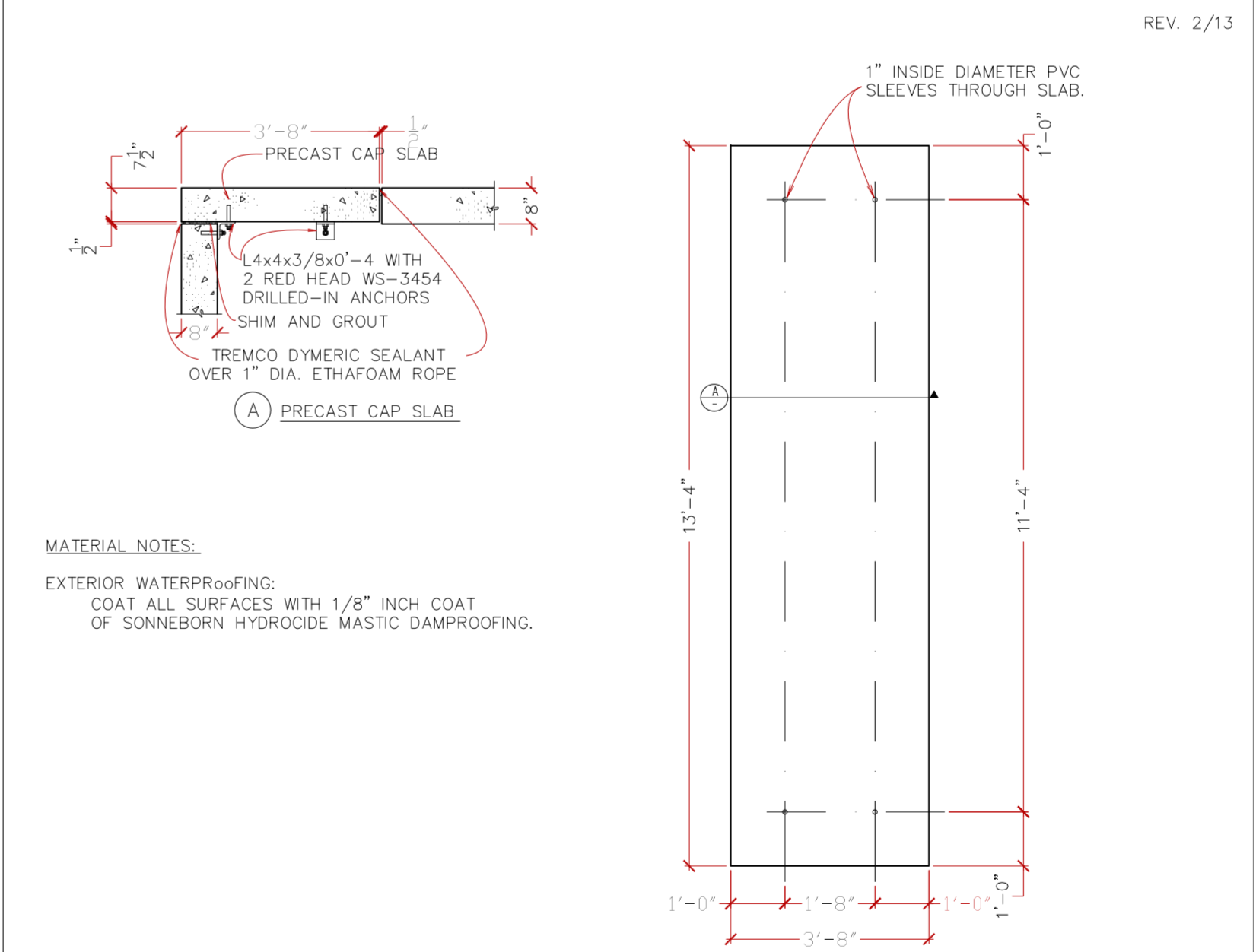
REV. 2/12
SHEET 4



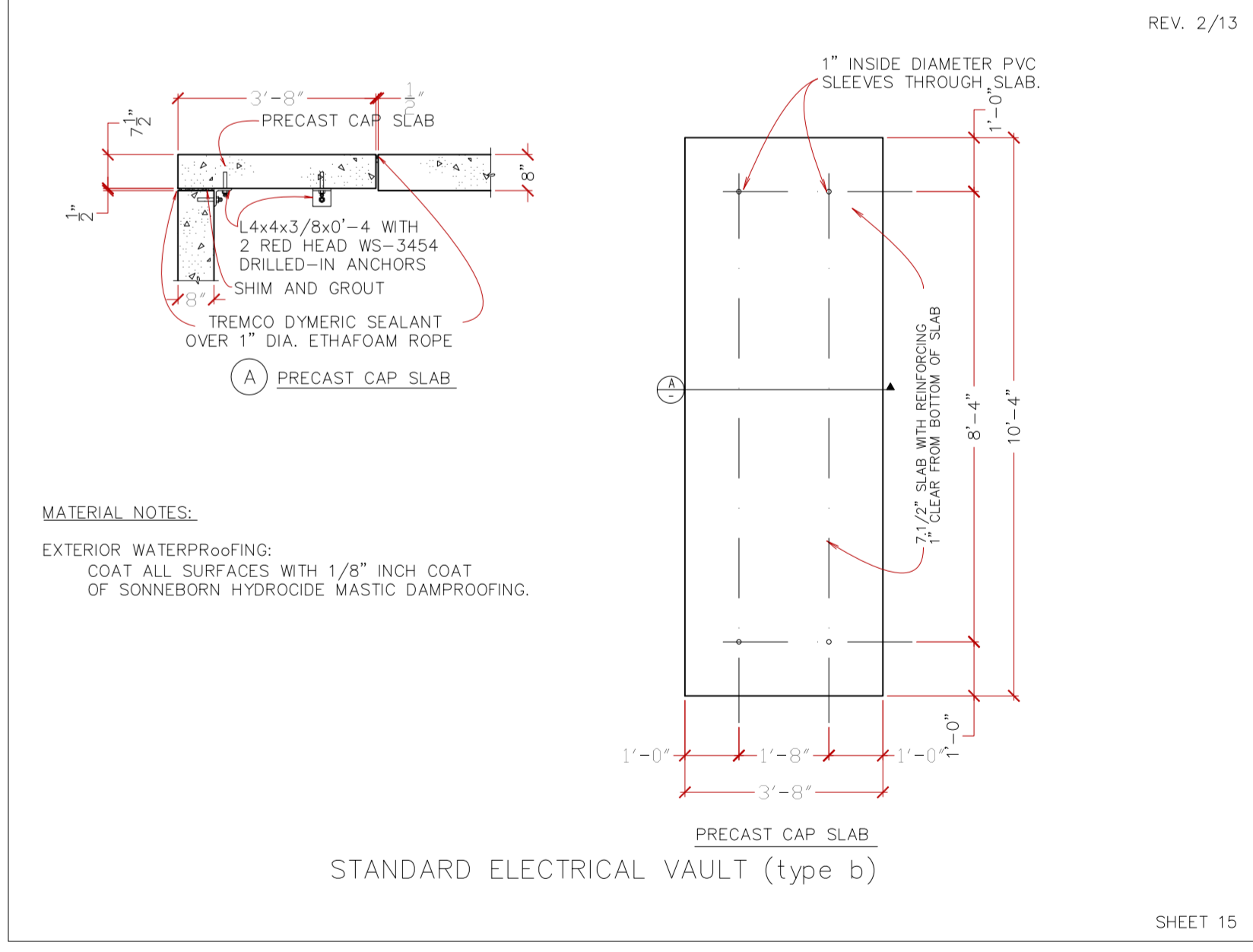
REV. 2/12
SHEET 5



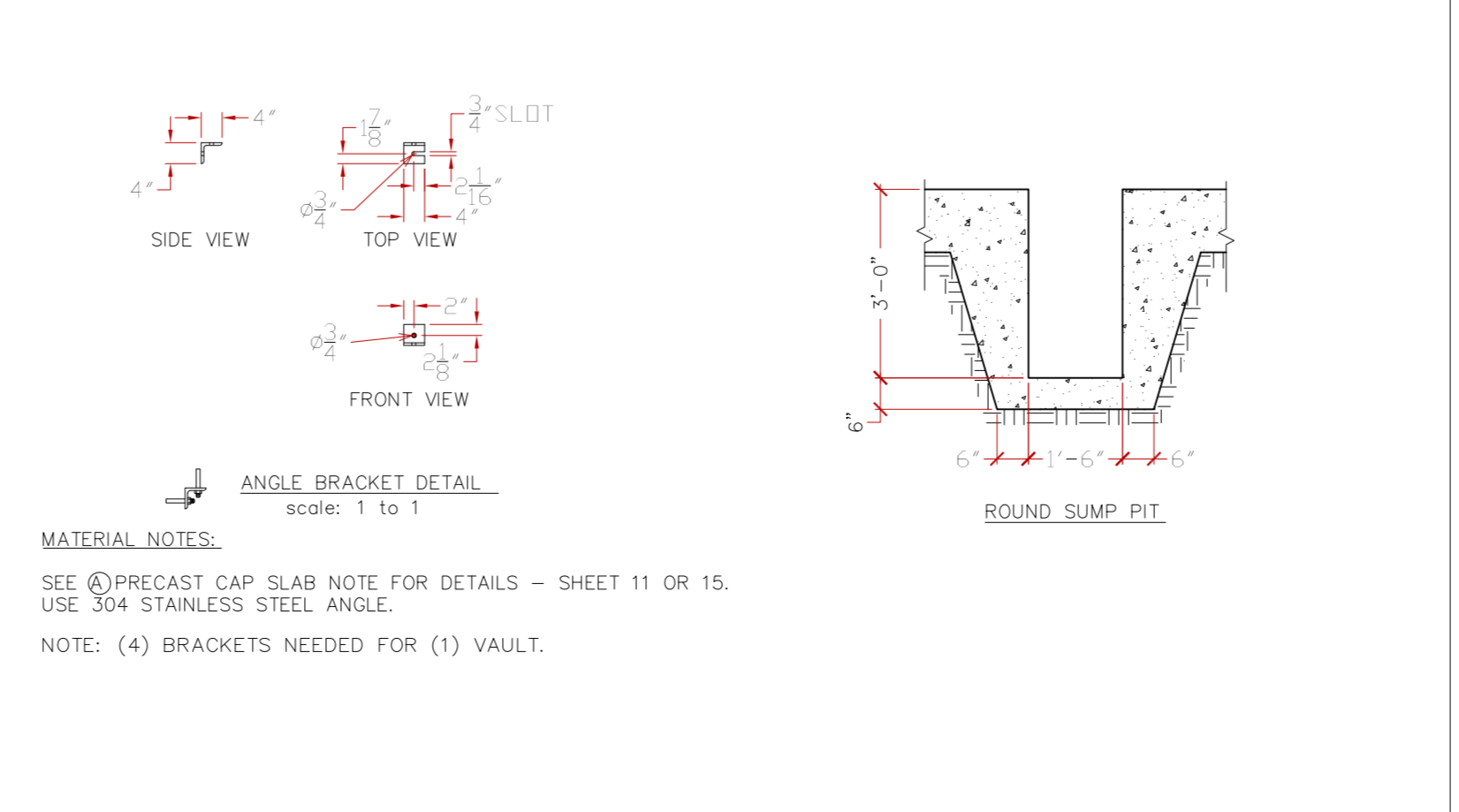
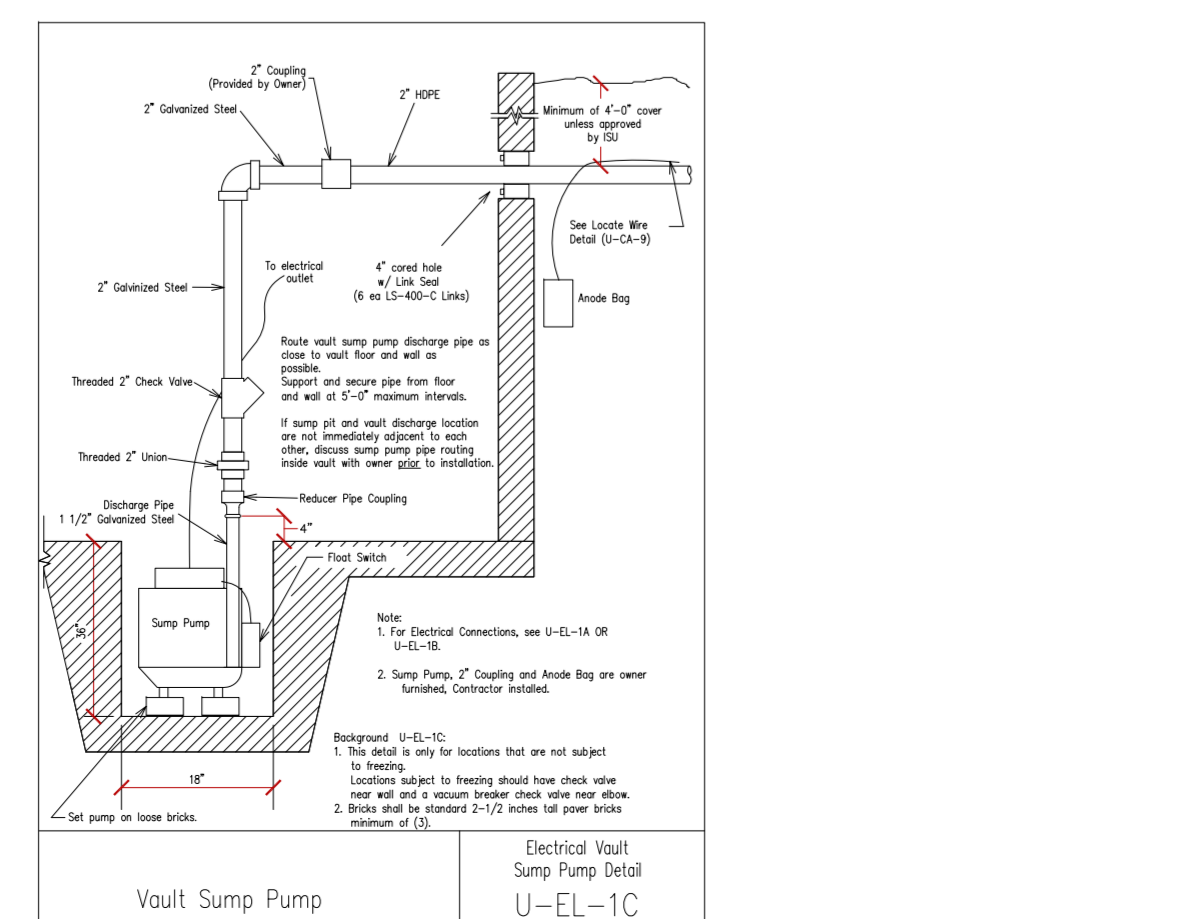
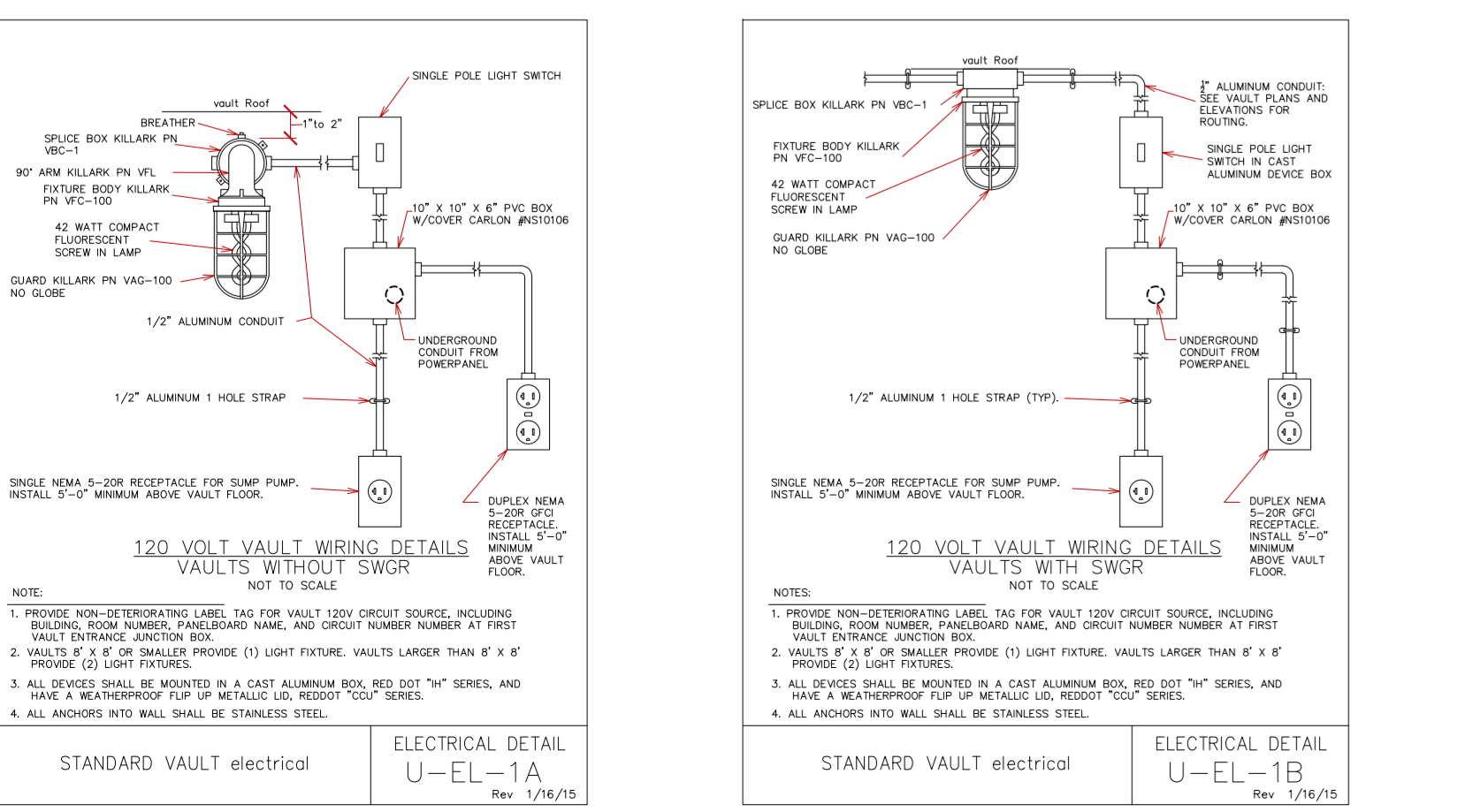
REV. 2/13
SHEET 10



REV. 2/13
SHEET 11



REV. 2/13
SHEET 15



REV. 2/13
SHEET 12